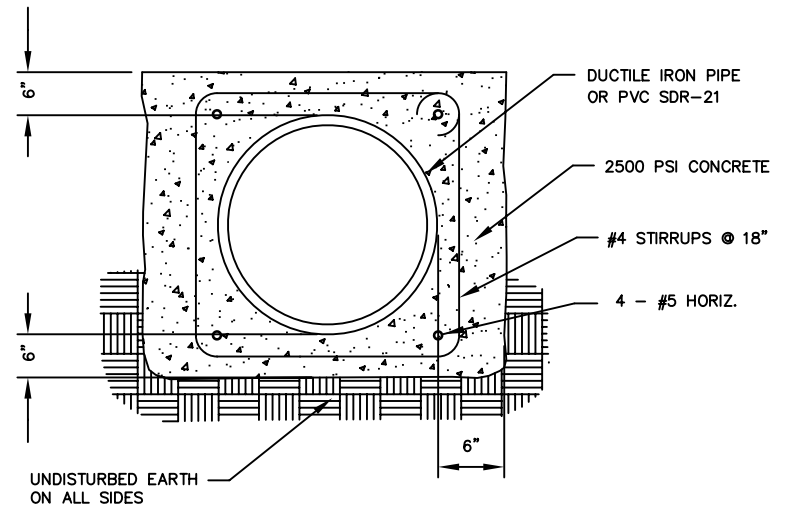


PROFILE



SECTION A-A

TYPICAL CONCRETE ENCASED PIPE

CHARLESTON WATER SYSTEM

TYPICAL CONCRETE ENCASED PIPE

APPROVED BY: CWS	DATE: MAR 2000	DRAWING NO. 46
SCALE: NTS	REVISED: FEB 2010	